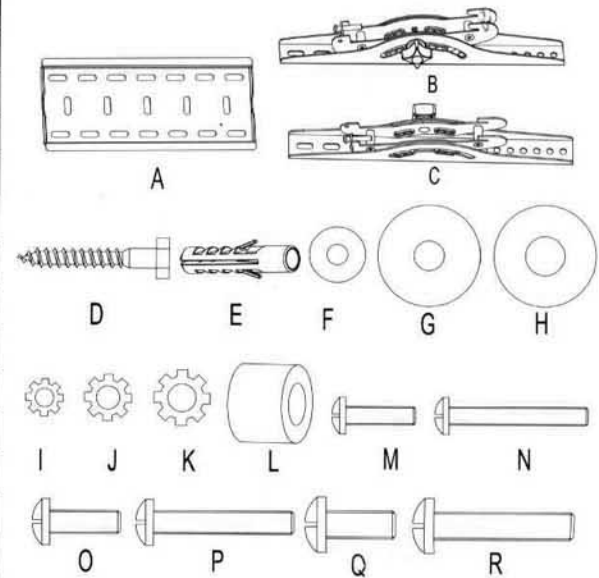
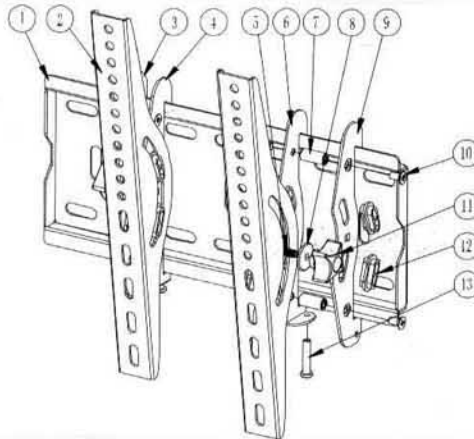


1. Part List

No.	Name of part	Material	Amount
A	Wall Plate	Q215	1
B	Left Monitor Bracket	Q215	1
C	Right Monitor Bracket	Q215	1
D	Lag Bolt	Standard part	6
E	Plastic anchors	Standard part	6
F	M4 washer	Standard part	4
G	M5/ M6 washer	Standard part	12
H	M8 washer	Standard part	6
I	M4 lock washer	Standard part	4
J	M5 lock washer	Standard part	4
K	M6 lock washer	Standard part	4
L	M8 Spacer	PA	4
M	M4*15 Phillips screw	Standard part	4
N	M4*30 Phillips screw	Standard part	4
O	M5*15 Phillips screw	Standard part	4
P	M5*30 Phillips screw	Standard part	4
Q	M6*15 Phillips screw	Standard part	4
R	M6*30 Phillips screw	Standard part	4



2. Name of parts



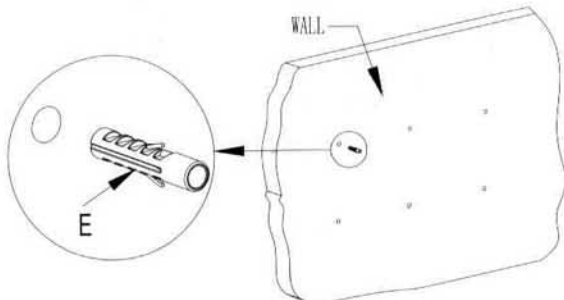
Item NO.	Symbol	Name of part	Material	Amount	Remark
1	3002F-01	Wall dead plate	Q215	1	$\delta=2$
2	3002F-02	TV hooking plate	Q215	2	$\delta=2$
3	3002F-03	Joint plate 1	Q215	1	$\delta=2$
4	3002F--04	Joint plate 2	Q215	1	$\delta=2$
5	M6*15	Square-necked screw	Standard part	2	
6	3002F-05	Joint plate 3	Q215	1	$\delta=2$
7	3002F-06	Joint sleeve	Q235	4	
8	3002F-07	Plastic washer	ABS	2	
9	3002F-08	Joint plate 4	Q215	1	$\delta=2$
10	M6*10	Phillips screw	Standard part	8	
11	3002F-09	Knob	PA	2	
12	3002F-10	Spacer block	PA	8	
13	M6*30	Phillips screw	Standard part	2	

3. Installation and operation instructions:

Note: please read the instructions carefully before installation

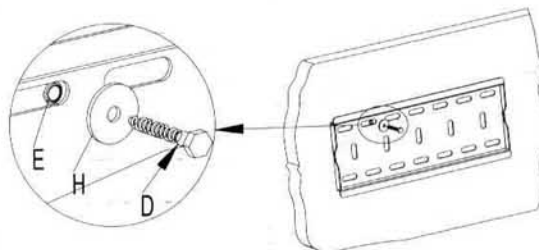
Step 1:

Use the wall plate as a templet to drill six holes of $\phi 10\text{mm}$ diameter and 50mm depth in the concrete wall. Then wedge six plastic concrete anchors into the holes.



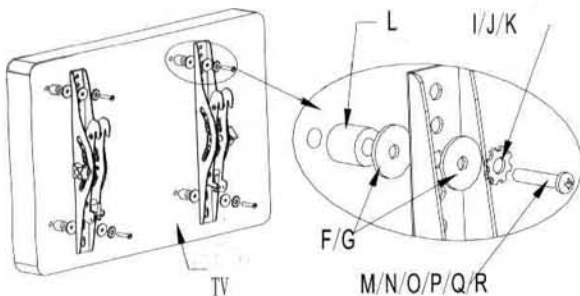
Step 2:

Install the wall plate. Put the wall plate on the wall, and then screw six lag bolts into each plastic concrete anchor through metal washer to fix the lag bolt, the plastic concrete anchor and the wall.



Step 3:

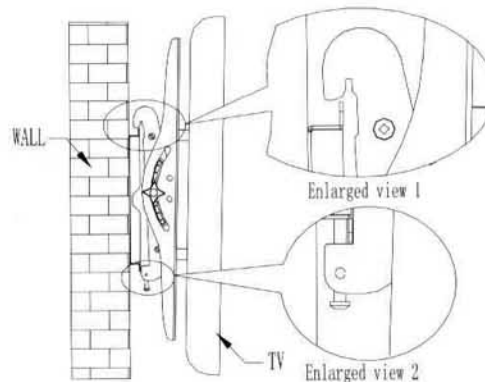
Install the monitor brackets onto the back of the panel TV: screw two bolts into the holes in the back of the panel TV to install each monitor bracket. Make sure the distance from each bracket to the top of the panel TV is equal, and also as center as possible. The knob shall face outward of the panel TV. The parts shall be selected according to the dimensions of the holes in the back of the panel TV.



Step 4:

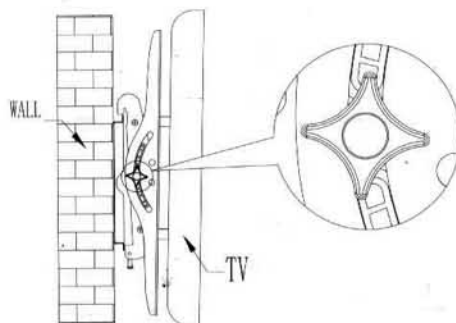
Enlarged view 1: hang the two monitor brackets on the wall plate, relax the hands until they are caught hold of.

Enlarged view 2: Fix the two bolts under the monitor brackets inside of the wall plate and then screw them down.



Step 5:

Adjust the angle of the panel TV between -15° and $+15^\circ$ to a suitable position, and screw the knobs up at last.



4. Notes

- (1) The wall plate should be fixed on a solid concrete wall.
- (2) Must be fitted by a professional.