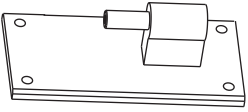

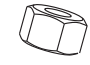
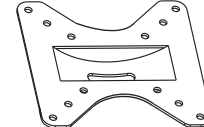

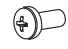
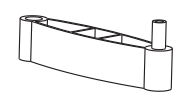

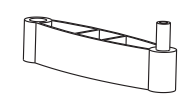


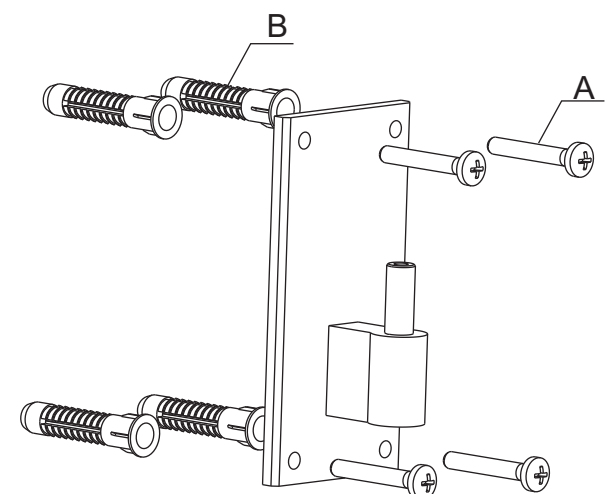





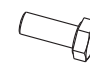
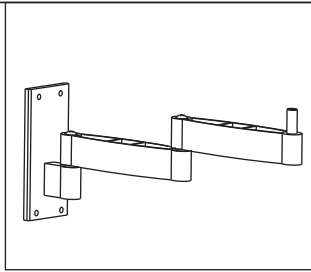
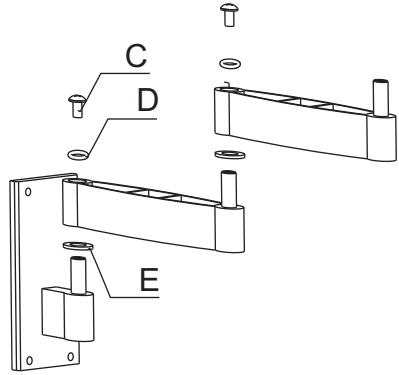


3505G

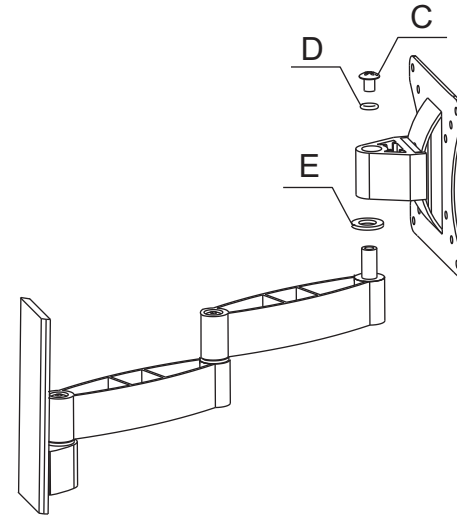
MUST BE FITTED BY A PROFESSIONAL

1		WALL PLATE	x1	G		Φ8 Iron washer	x1
				H		M8 Screw nut	x1
2		FRONT PLATE	x1	I		Aluminum alloy insert	x1
				J		M4x12mm Cross round screw	x4
3		CANTILEVER ARM(1)	x1	K		M5x12mm Cross round screw	x4
4		CANTILEVER ARM(2)	x1	L		SPANNER	x1
5		SWIVEL CONNECTOR	x1	<div style="border: 1px solid black; padding: 5px; display: inline-block; font-weight: bold; font-size: 2em;">1</div> 			
A		M5.3x40mm screw	x4				
B		WALL PLUG	x4				
C		M6X12mm Cross round screw	x3				
D		RUBBER 'O' RING	x3				
E		Φ10 Copper washer	x3				
F		M8x16mm Outer hexagonal screw	x1				

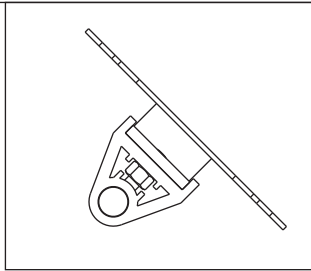
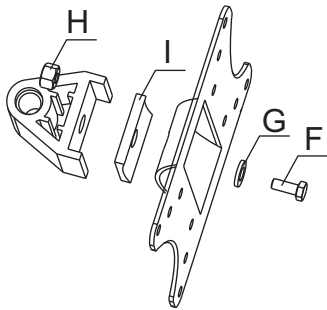
2



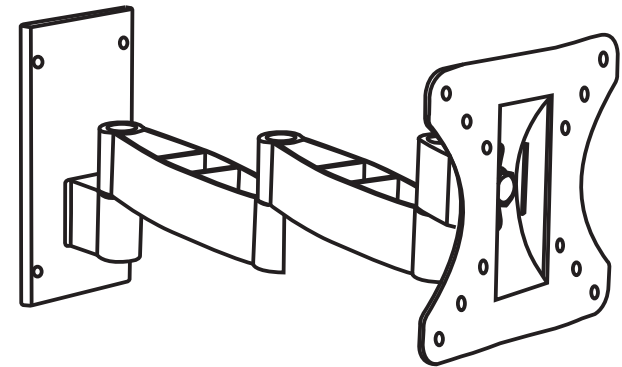
5



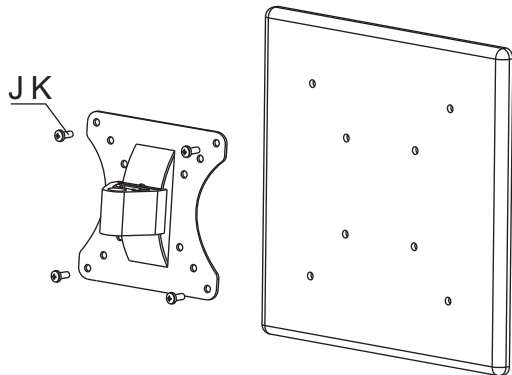
3



6



4



MUST BE FITTED BY A PROFESSIONAL