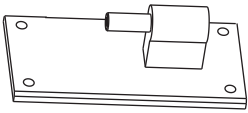

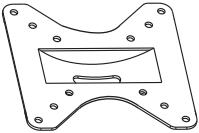


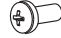

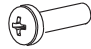

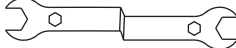

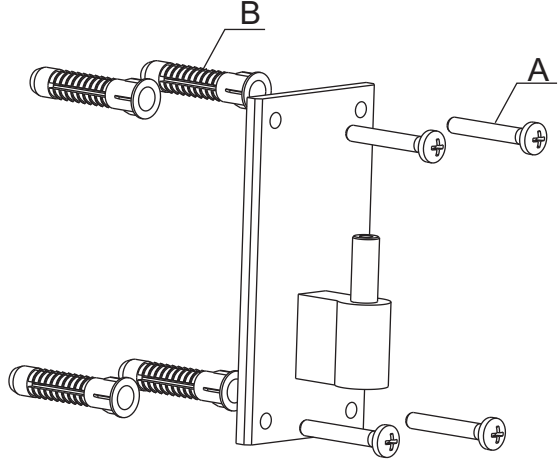


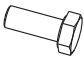

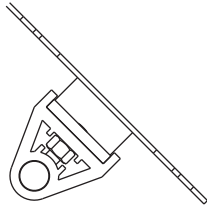
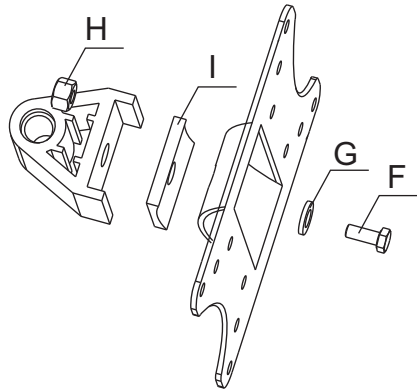


3507G

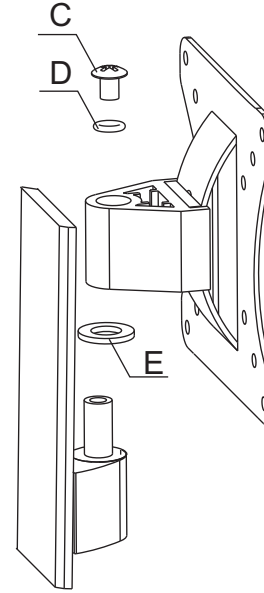
MUST BE FITTED BY A PROFESSIONAL

1		WALL PLATE	x1	H		M8 Screw nut	x1
2		FRONT PLATE	x1	I		Aluminum alloy insert	x1
3		SWIVEL CONNECTOR	x1	J		M4x12mm Cross round screw	x4
A		M5.3x40mm screw	x4	K		M5x12mm Cross round screw	x4
B		WALL PLUG	x4	L		SPANNER	x1
C		M6X12mm Cross round screw	x1	<div style="border: 1px solid black; padding: 5px; display: inline-block; font-weight: bold; font-size: 24px; margin-bottom: 10px;">1</div> 			
D		RUBBER 'O' RING	x1				
E		Φ10 Copper washer	x1				
F		M8x16mm Outer hexagonal screw	x1				
G		Φ8 Iron washer	x1				

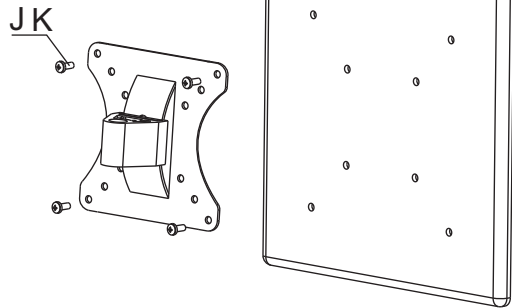
2



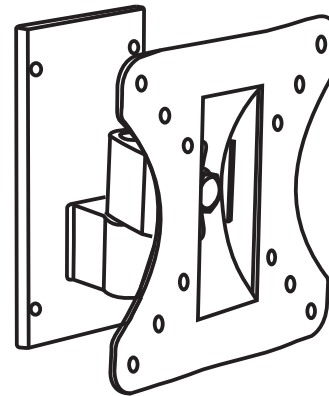
4



3



5



MUST BE FITTED BY A PROFESSIONAL