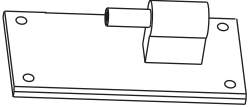

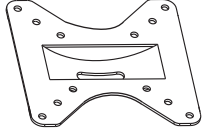


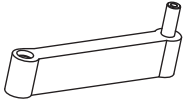
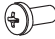

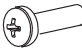

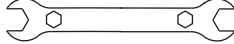

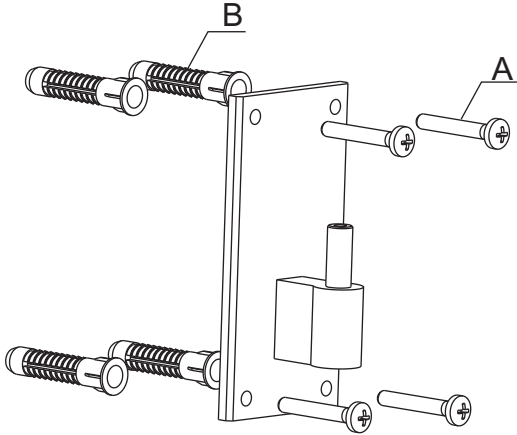



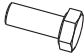
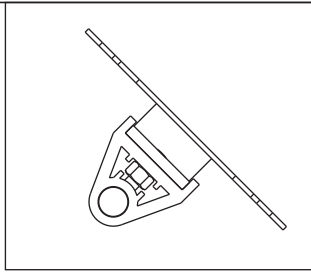
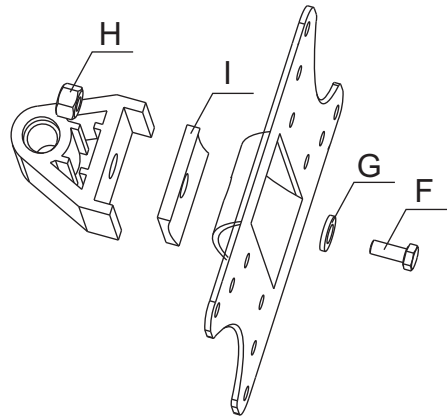


3503G

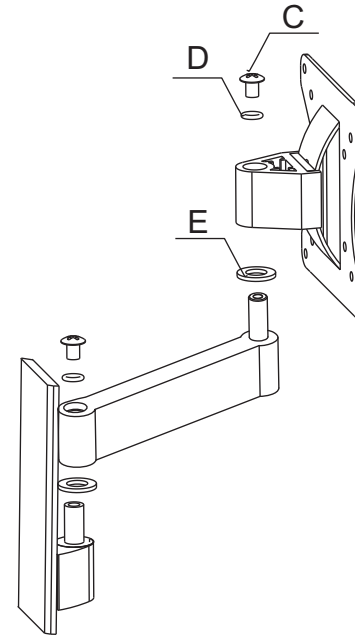
MUST BE FITTED BY A PROFESSIONAL

1		WALL PLATE	x1	G		M8 Iron washer	x1
2		FRONT PLATE	x1	H		M8 Screw nut	x1
				I		Aluminum alloy insert	x1
3		CANTILEVER ARM(1)	x1	J		M4x12mm Cross round screw	x4
4		SWIVEL CONNECTOR	x1	K		M5x12mm Cross round screw	x4
A		M5.3x40mm screw	x4	L		SPANNER	x1
B		WALL PLUG	x4	<p>1</p> 			
C		M6X12mm Cross round screw	x2				
D		RUBBER 'O' RING	x2				
E		Φ10 Copper washer	x2				
F		M8x16mm Outer hexagonal screw	x1				

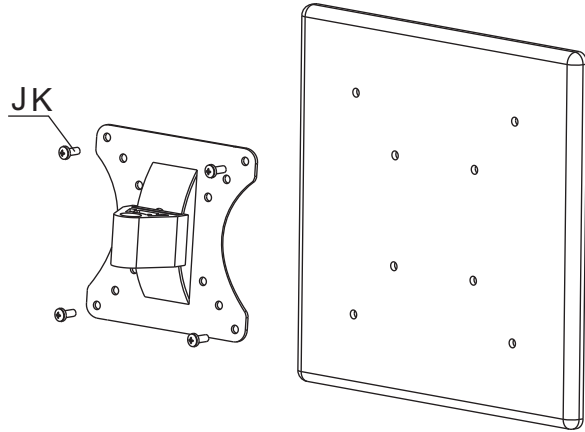
2



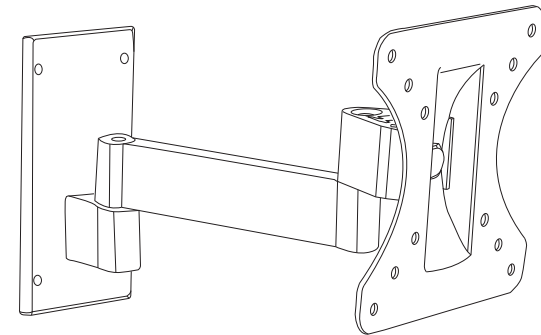
4



3



5



MUST BE FITTED BY A PROFESSIONAL