

Instruction of 3533G Wall fixed installation

1.Product Features

3533G Product weight:1.8kg; TV size support:12-22"; Distance to the wall:55mm; Maximum load:35kg; For VESA standard: 100X100mm

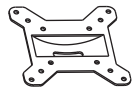
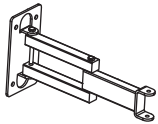




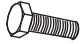

2.Hardware List








Important: We are not responsible for any personal injury or product damage due to mishandling, incorrect mounting, incorrect assembly or incorrect use of this product.

Note: The supplied wall mounting hardware is not for use on steel stud walls or cold cinder black walls. If you are uncertain what material your wall is constructed of or any question regarding the proper installation of this wall mount, contact a qualified contractor. If the hardware required is not including, please contact your local hardware store.

Caution: This LCD/Plasma wall mount is intended for use with television that does not exceed the maximum weight capacity designated. Using this mount with products heavier than the maximum weight indicated may result in instability causing possible injury.

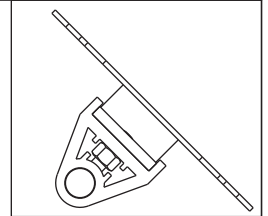
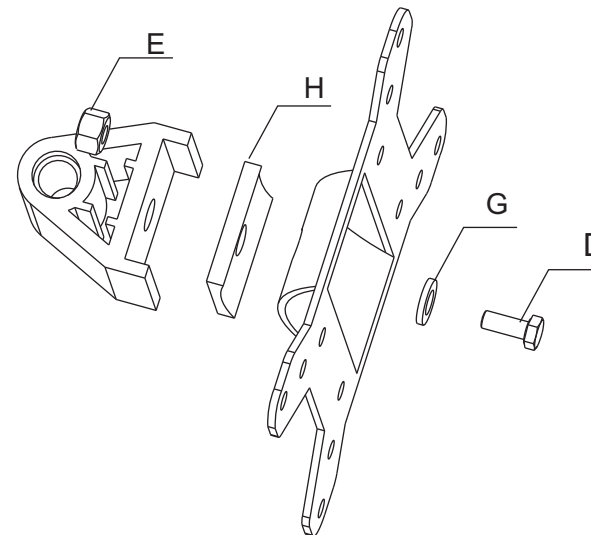
Screw spare parts list

No.	Description	Specifications Model	Qty.
1		Panel	x1
2		Aluminum joint arm	x1
3		Aluminium joint	x4
A		M5.3x50mm Wallboard screw	x4
B		M8 Plastic screw	x4
C		M6x48mm screw	x1
D		M8x16mm screw	x1
E		M8 Nut	x1

F		M6 Lock Nut	x1
G		Φ8 washer	x1
H		aluminium alloy insert	x1
I		Φ10x30 Hollow tube	x1
J		Φ6 plastic washer	x2
K		M4X12mm Cross round screw	x4
L		M5X12mm Cross round screw	x4

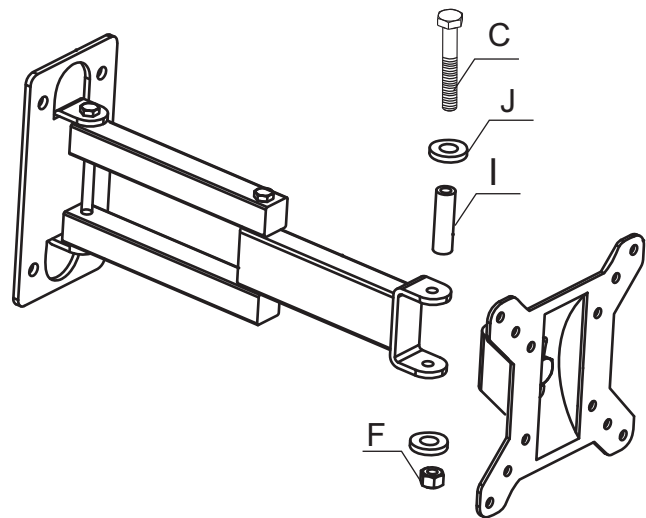
Instruction of installation operation

1

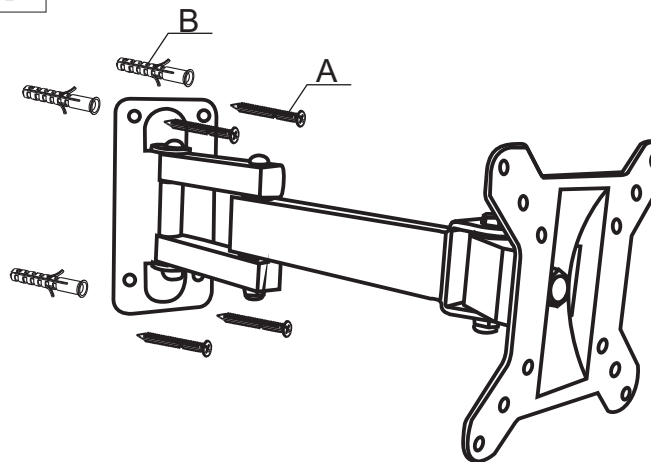


Fix the wall plat on the aluminium alloy joint with outer hexagond screw(D),iron washer(G), aluminium alloy insert(H) and screw nut(E) .

2

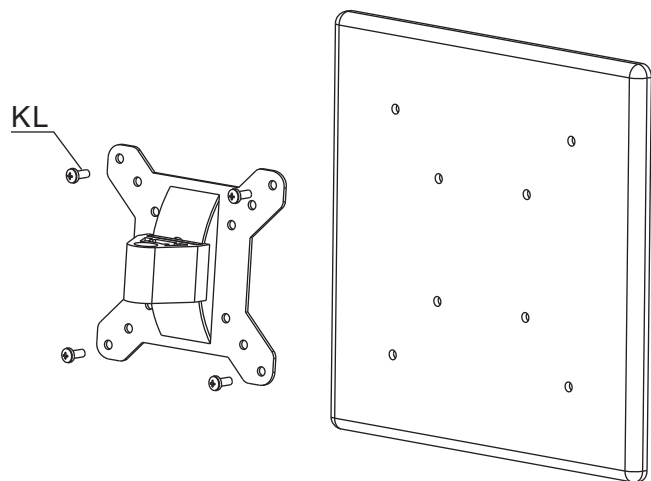


4



Using the bubble level to ensure the wall plate is level, Pre-drill 4 holes with a 10mm bit to 50mm deep. Insert wall anchors into the holes, then using long bolts to mount the wall to studs.

3



Using Long bolt(KorL), to mount TV set to the aluminum siding.