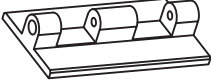


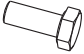

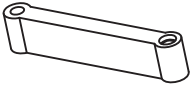


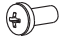

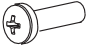




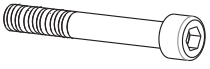





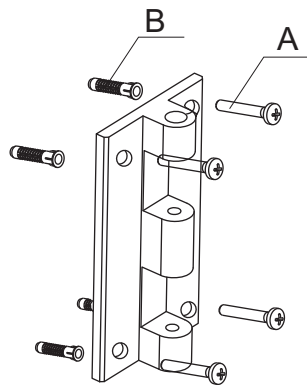


3534G M8

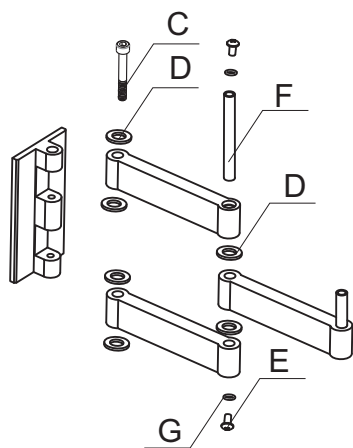
MUST BE FITTED BY A PROFESSIONAL

1		WALL PLATE	x1	G		RUBBER 'O' RING	x3
2		FRONT PLATE	x1	H		M8x16mm Outer hexagonal screw	x1
				I		M8 Screw nut	x1
3		CANTILEVER ARM(1)	x2	J		M8 iron washer	x1
4		CANTILEVER ARM(2)	x1	K		M5x12mm Cross round screw	x4
5		SWIVEL CONNECTOR	x1	L		M6x20mm Cross round screw	x4
A		M5.3x40mm screw	x4	M		Φ6 Plastic spacer	x4
B		WALL PLUG	x4	N		Aluminum alloy insert	x1
C		M10x120 allen key screw	x1	O		ALLEN KEY	x1
D		Φ10 copper backing	x7	P		M8x16mm Cross round screw	x4
E		M6x12 Carriage screw	x3				
F		Φ10x85mm Hollow tube	x1				

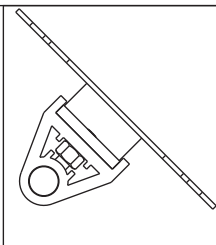
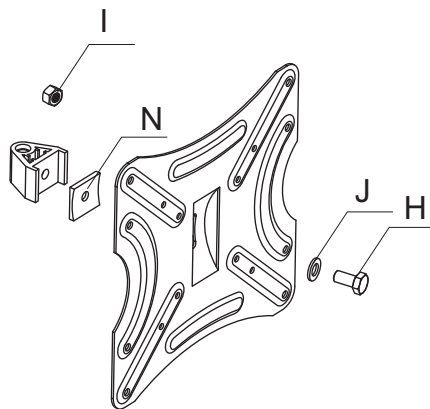
1



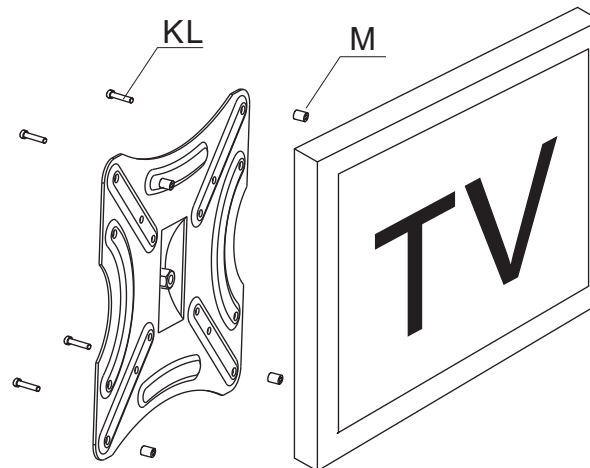
2



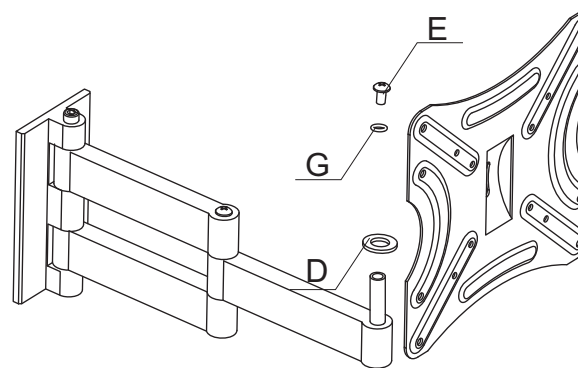
3



4



5



MUST BE FITTED BY A PROFESSIONAL