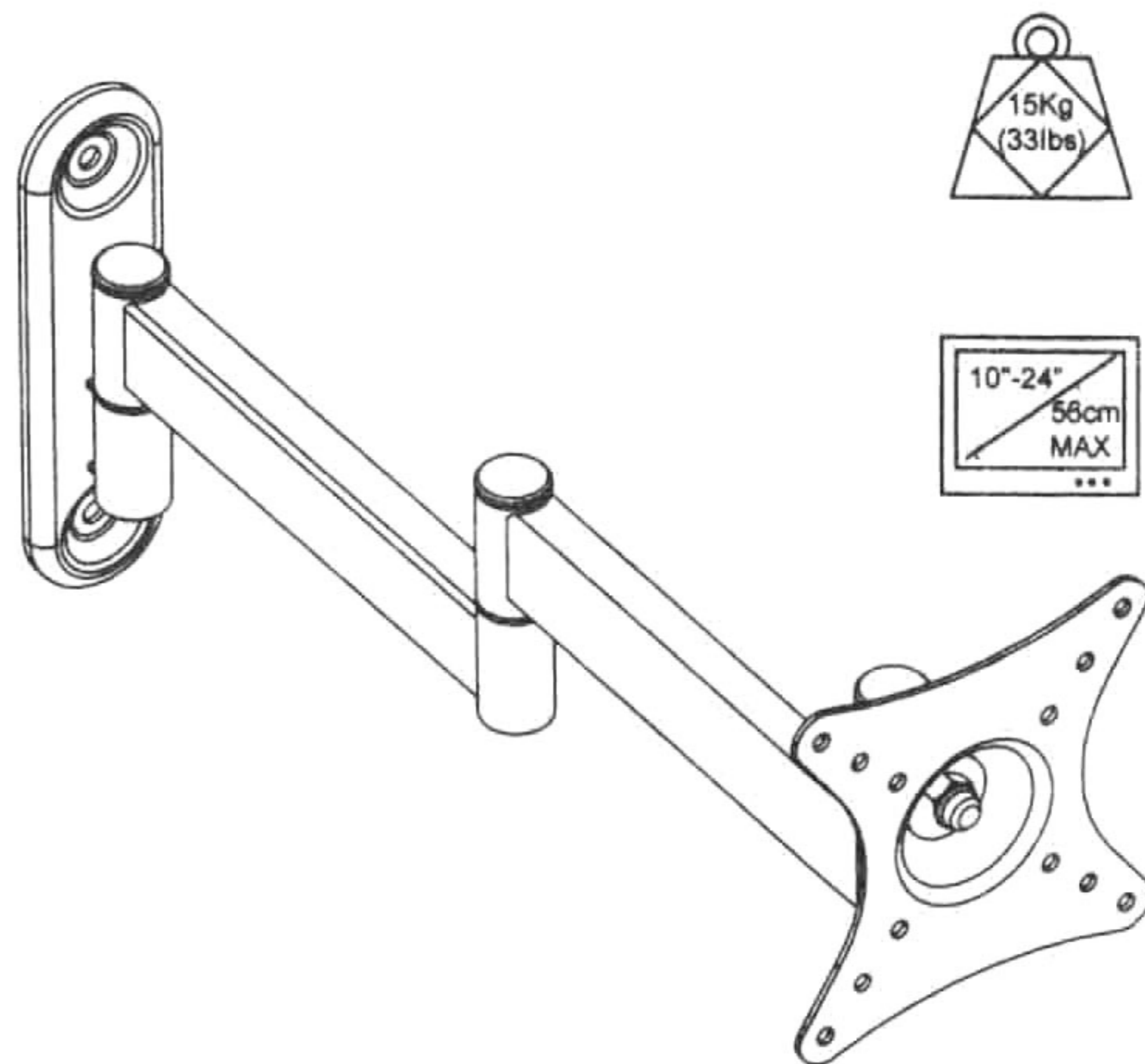


 **WARNING:**

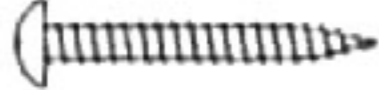



Must be fitted by a professional.

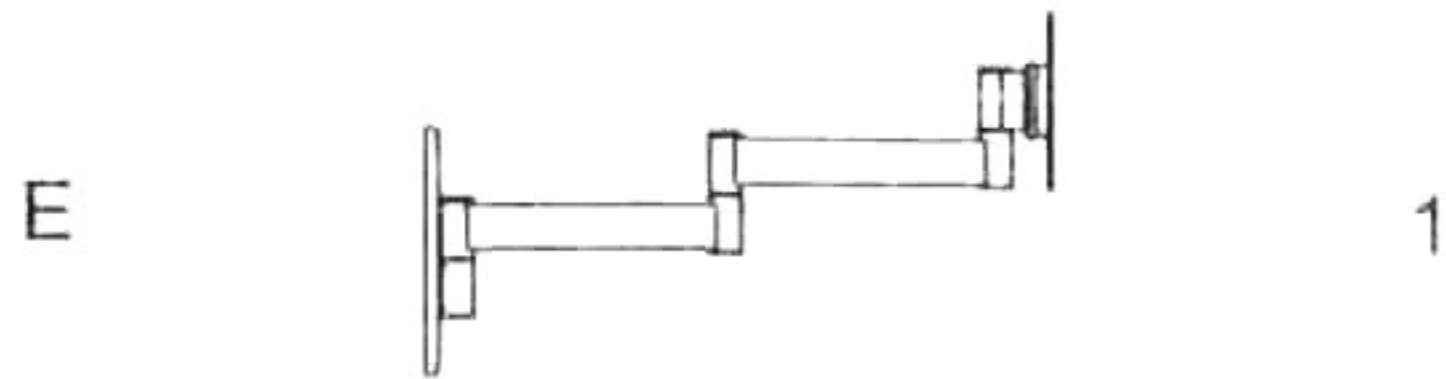
LCD TV MOUNT



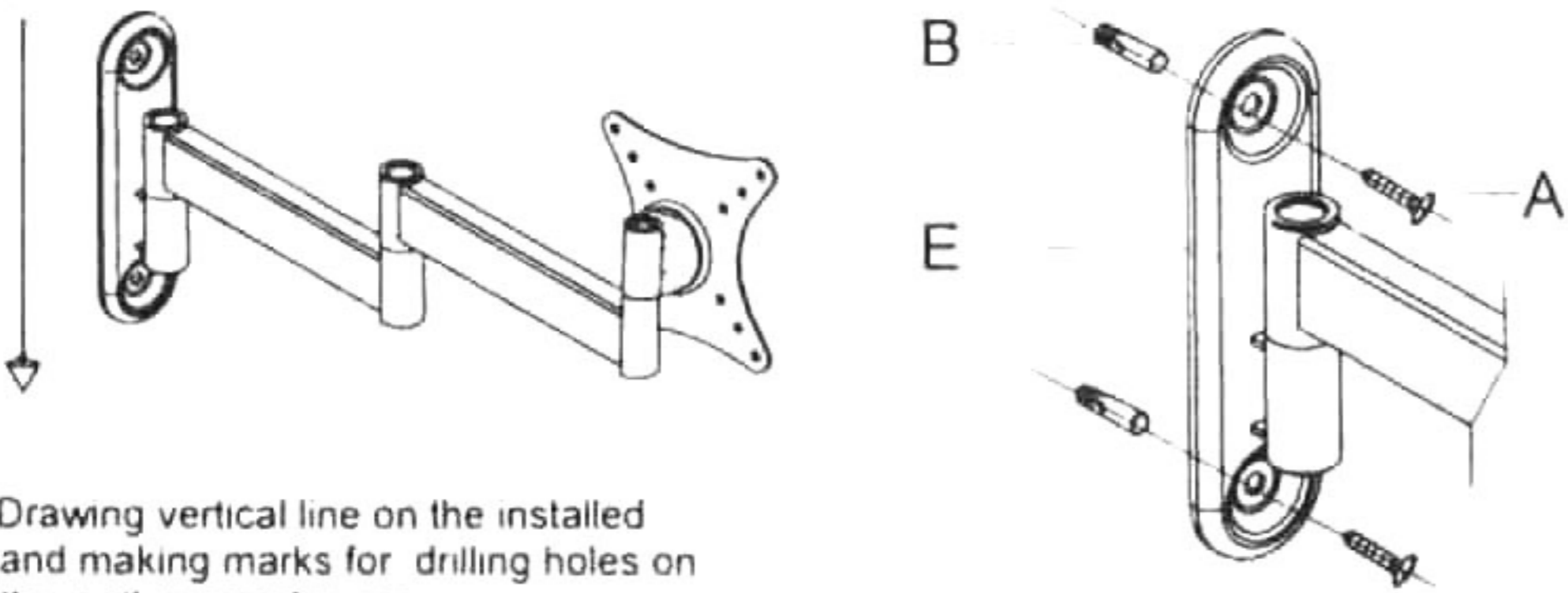
INSTALLATION SPECIFICATION

1

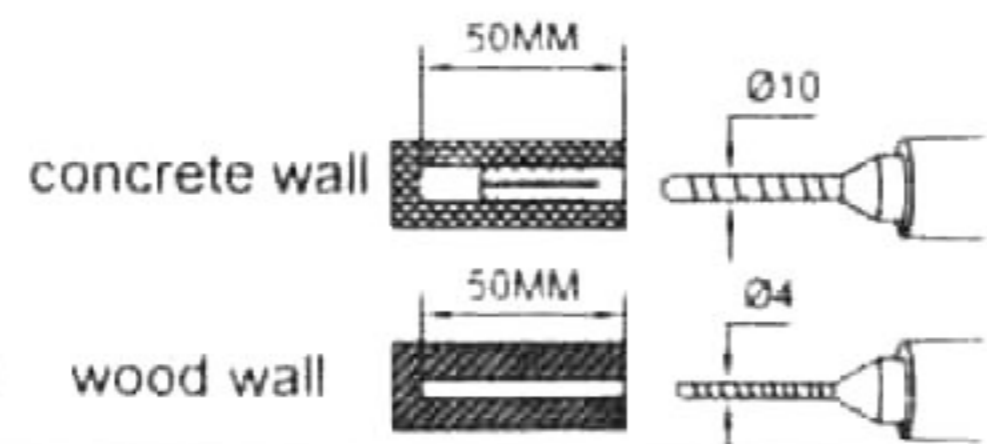
- | | | |
|---|-----------------------------------------------------------------------------------|---|
| A |  | 2 |
| B |  | 2 |
| C |  | 4 |
| D |  | 4 |



3

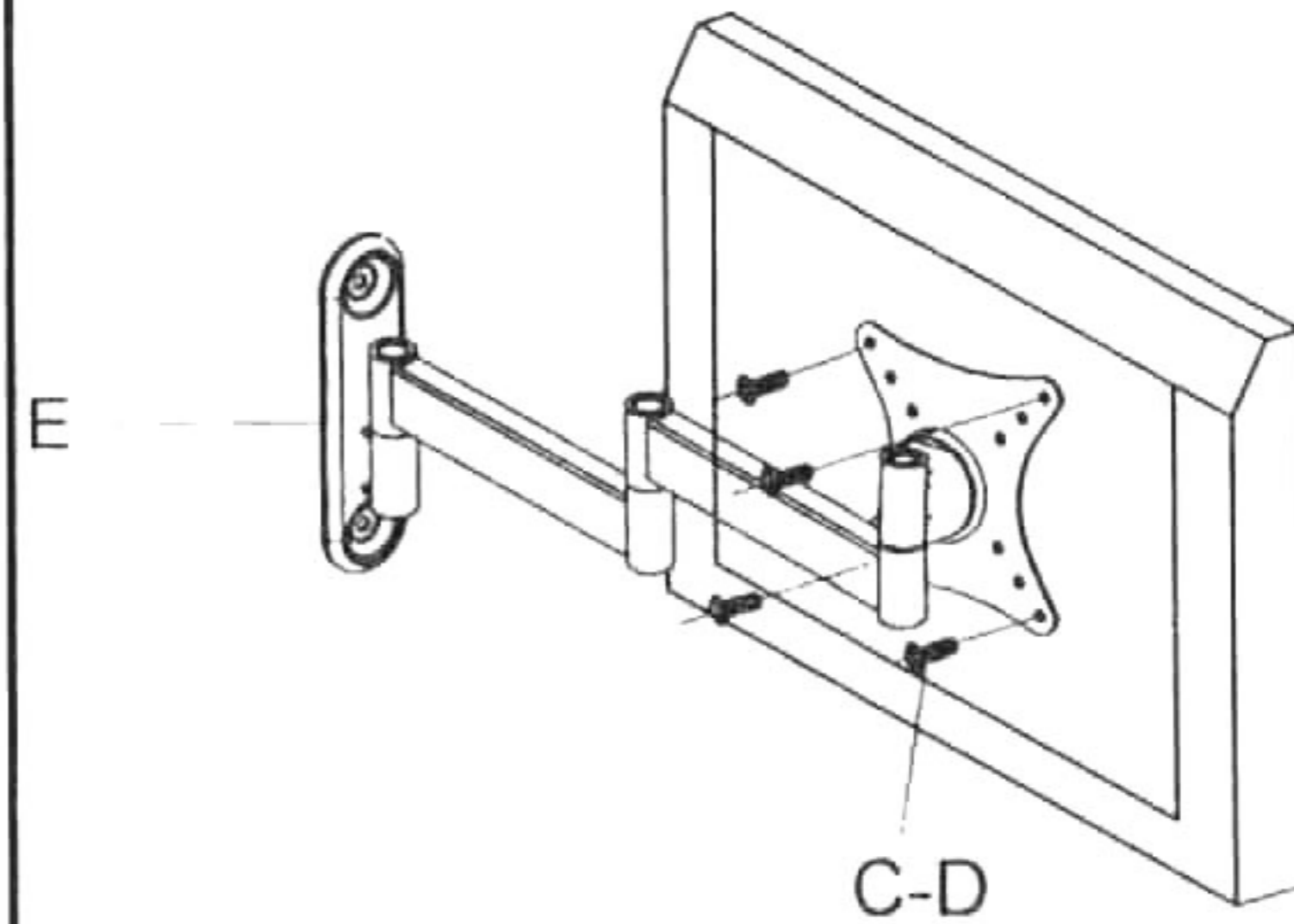


- 1 Drawing vertical line on the installed and making marks for drilling holes on the wall as per drawing
- 2 Drill 50mm-deep holes with $\Phi 10$ augilles on the marks
- 3 Fix subassembly E on the wall with accessories A and B
- 4 When installing subassembly E on solid wood walls, use a $\Phi 4$ augilles and accessory B is not needed



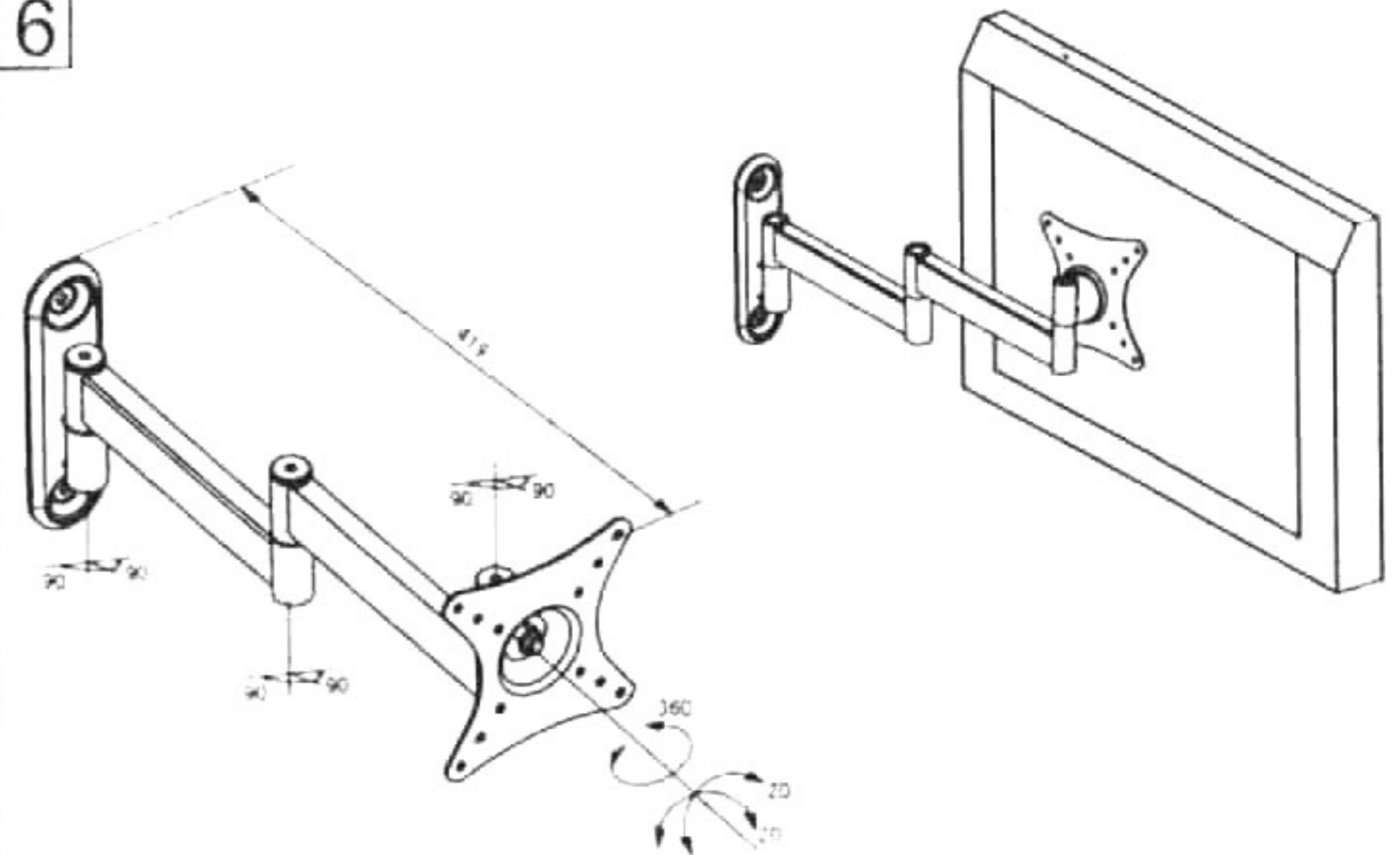
INSTALLATION SPECIFICATION

4



Fix subassembly E on the lcd with proper bolts (C or D)

6



1 Now you can adjust the viewing angles as illustrated