

MUST BE FITTED BY PROFESSIONAL
AARTONMOUNTS
 LCD/Plasma Wall Bracket 3032F M8

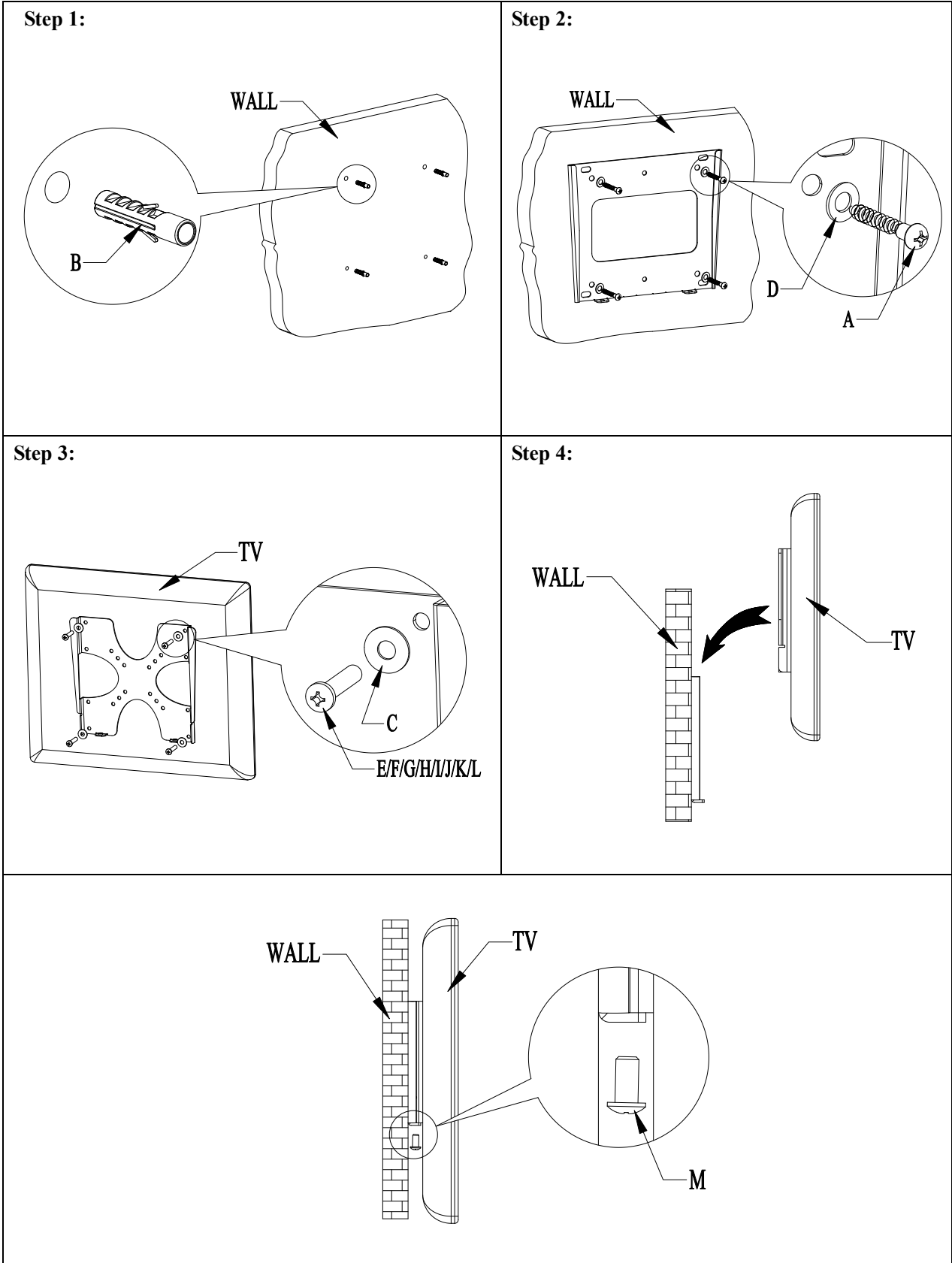
1. Parts List

No.	Name of part	Material	Amount
A	Lag bolts	Standard part	4
B	Plastic anchors	Standard part	4
C	Ø5*Ø16*1.5 Washer	Standard part	4
D	Ø6 Washer	Standard part	4
E	M4*8 Phillips screw	Standard part	4
F	M4*12 Phillips screw	Standard part	4
G	M5*8 Phillips screw	Standard part	4
H	M5*12 Phillips screw	Standard part	4
I	M6*8 Phillips screw	Standard part	4
J	M6*12 Phillips screw	Standard part	4
K	M8*8 Phillips screw	Standard part	4
L	M8*15 Phillips screw	Standard part	4
M	M5*10 Phillips screw	Standard part	2

2. Name of parts

Item NO.	Name	Material	Amount	Remark
1	Wall plate	Q215	1	δ=2
2	TV plate	Q215	1	δ=2

3.



MUST BE FITTED BY A PROFESSIONAL