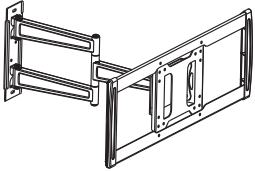
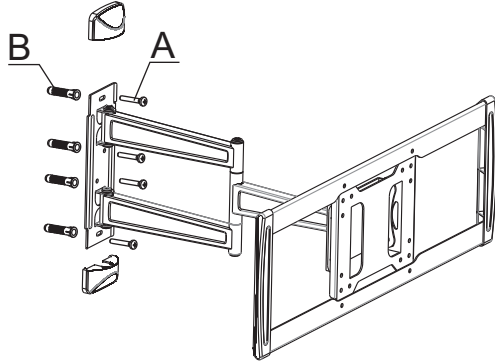




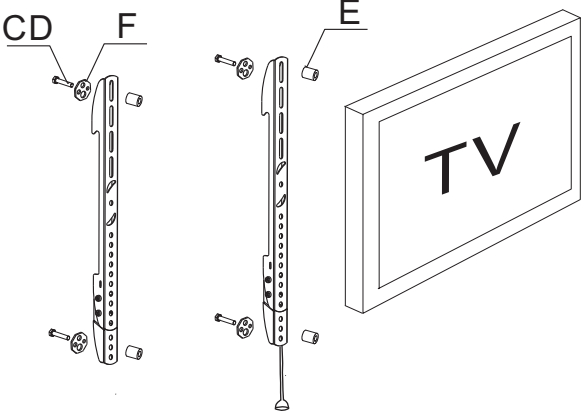







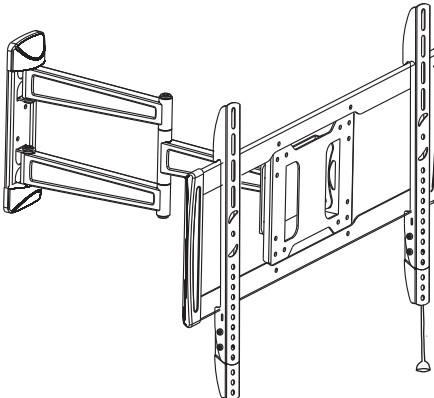



3563G

MUST BE FITTED BY A PROFESSIONAL

1		WALL PLATE & FRONT PLATE	x1	1	
2		ARMS FOR TV	x1		
3		ARMS FOR TV	x1		
4		Plastic cover	x2		
A		M6x55mm wall screw	x4	2	
B		WALL PLUG	x4		
C		M8x16mm screws	x4		
D		M6x20mm screws	x4		
E		Φ6 Plastic spacer	x4		
F		washer	x4		
G		6mm Allen key	x1		
H		4mm Allen key	x1	3	
I		M8x16mm screw	x4		

MUST BE FITTED BY A PROFESSIONAL