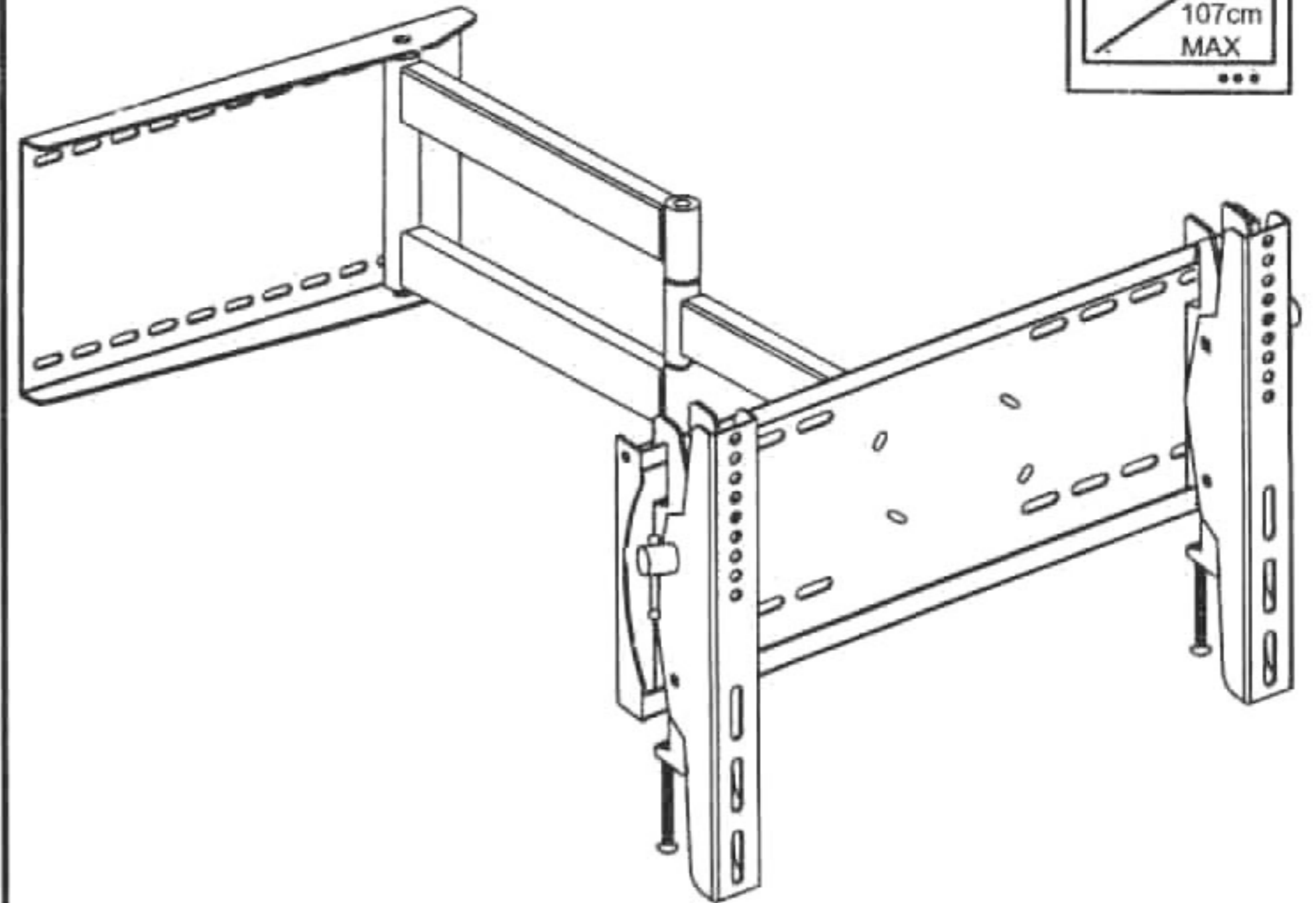
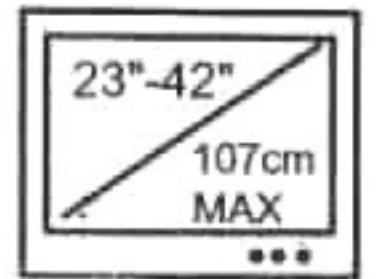


1. The viewing angle of plasma can be adjusted by loosen or tighten Y-1.

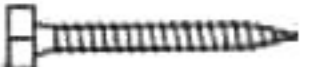

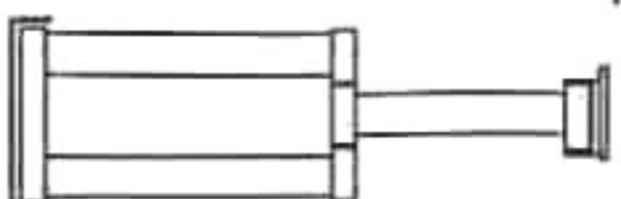

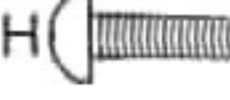

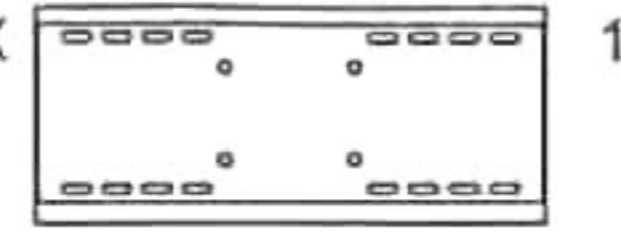







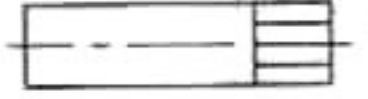




### WARNING:

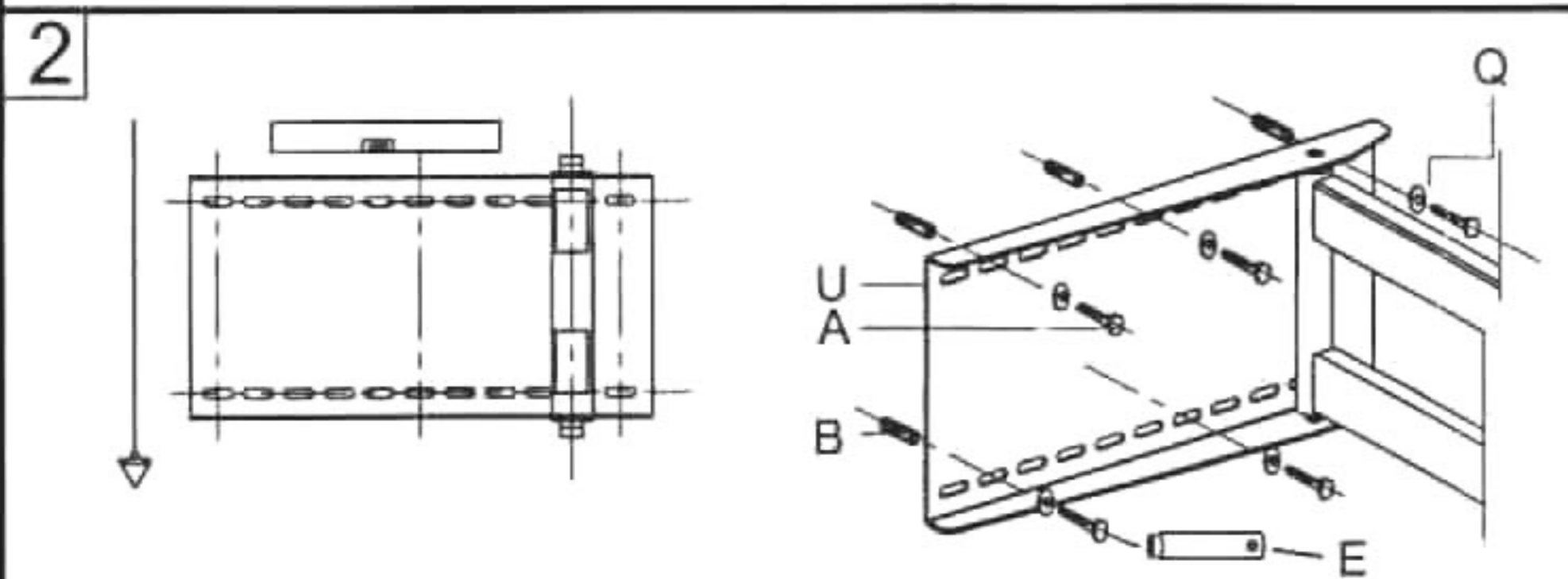
1. The bracket must be fitted to a solid concrete wall or solid brick wall or solid wooden wall .
2. To be fitted by a professional only .

# PLASMA TV MOUNT

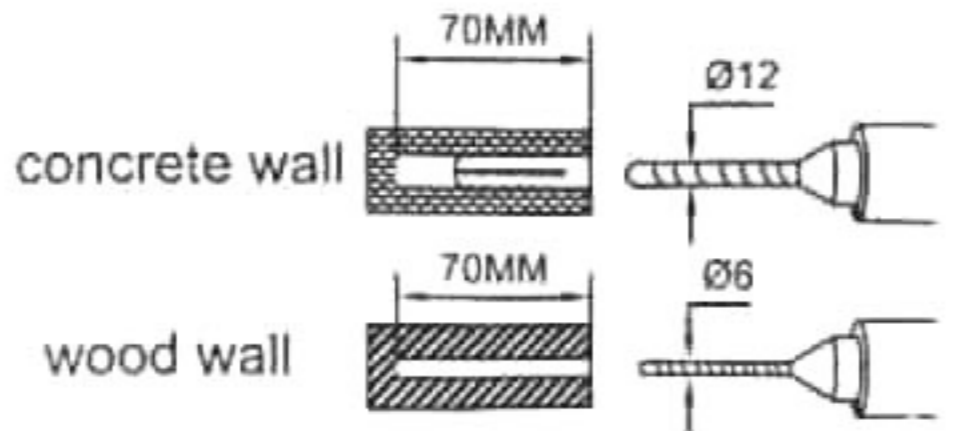


# INSTALLATION SPECIFICATION

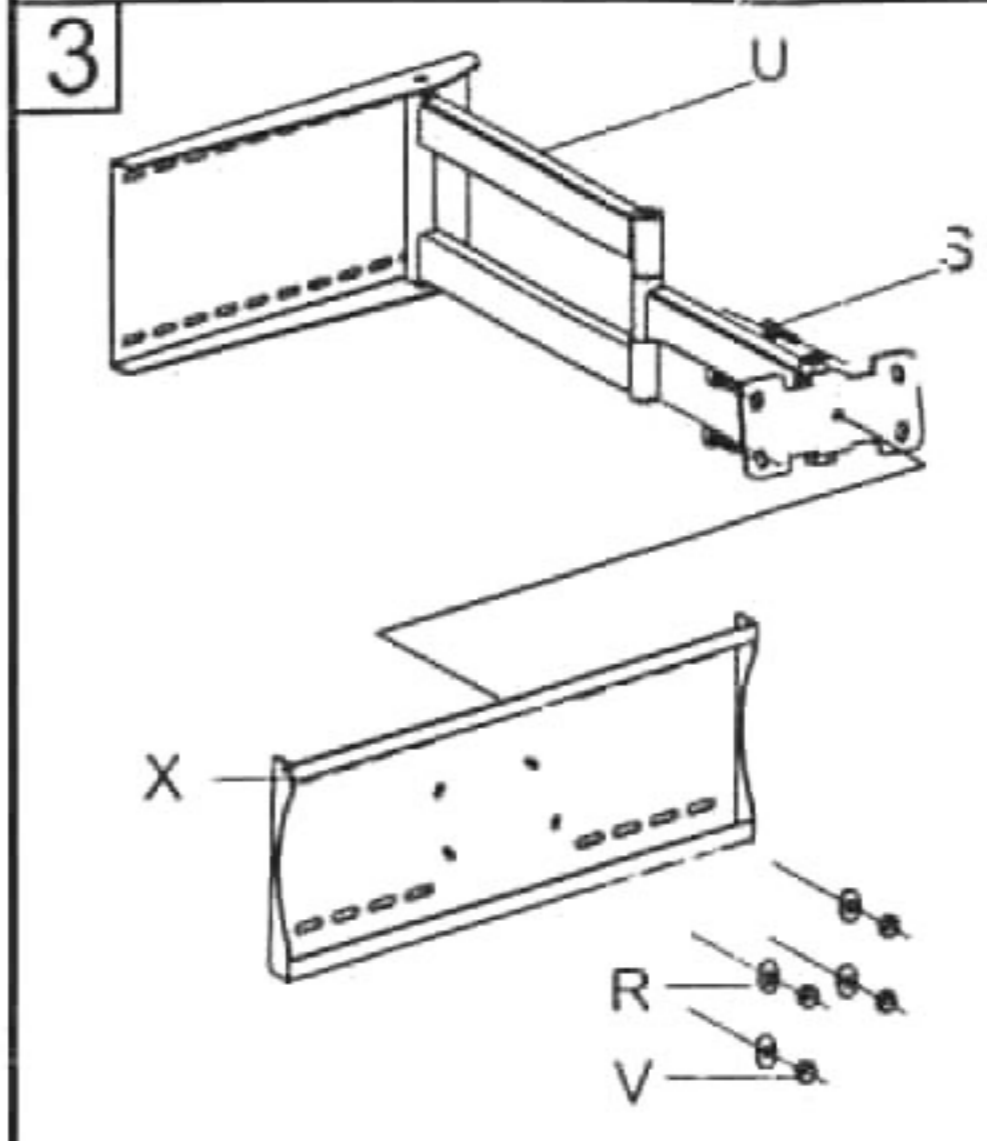
<b>1</b>	<b>A</b>  6	<b>G</b>  4	<b>U</b>  1
<b>B</b>  6	<b>H</b>  4	<b>J</b>  4	<b>X</b>  1
<b>C</b>  4	<b>K</b>  4	<b>M</b>  4	<b>Y</b>  2
<b>D</b>  4	<b>N</b>  4	<b>Q</b>  10	
<b>E</b>  1	<b>P</b>  4	<b>R</b>  4	
<b>F</b>  2			
<b>V</b>  4			



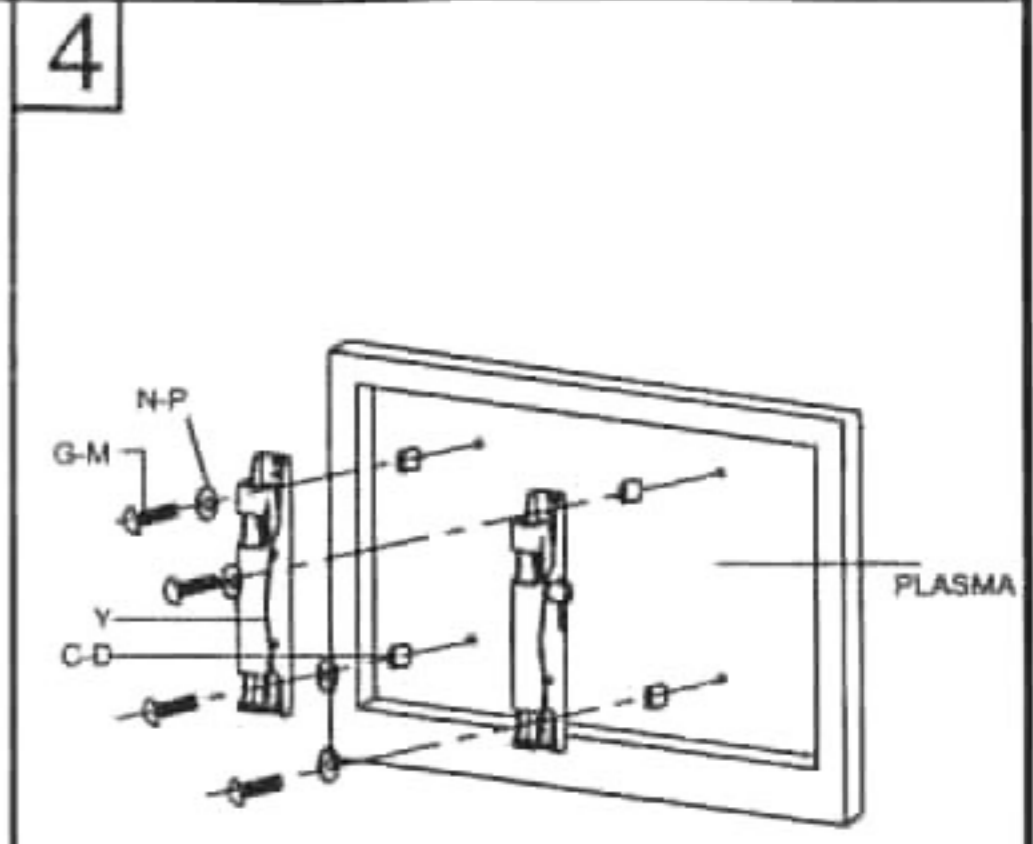
1. Drawing vertical line on the installed and making marks for drilling holes on the wall as per drawing .
2. Drill 70mm-deeped holes with  $\Phi 12$  aiguilles on the marks.
3. Fix subassembly U on the wall with accessories A ,B and Q.
4. When installing subassembly U on solid wood walls, use a  $\Phi 6$  aiguilles and accessory B is not needed.



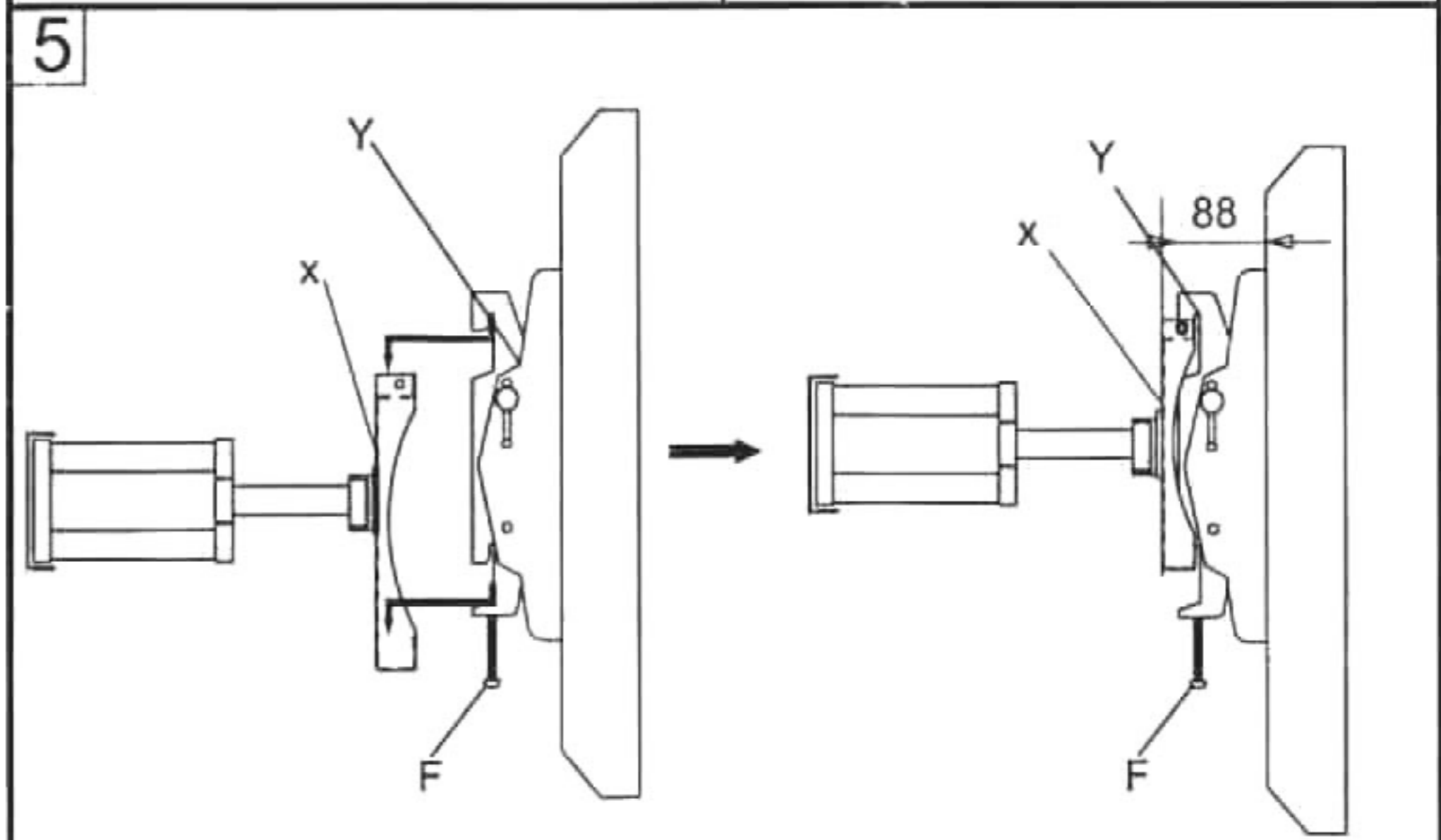
# INSTALLATION SPECIFICATION



Combine subassemblies U and X with accessories S , Vand R.



Fix subassembly Y on the plasma with proper bolts G-M,P-N and accessories C or D.



Hook the plasma on subassembly X  
Screw accessory F into Y to make it stably