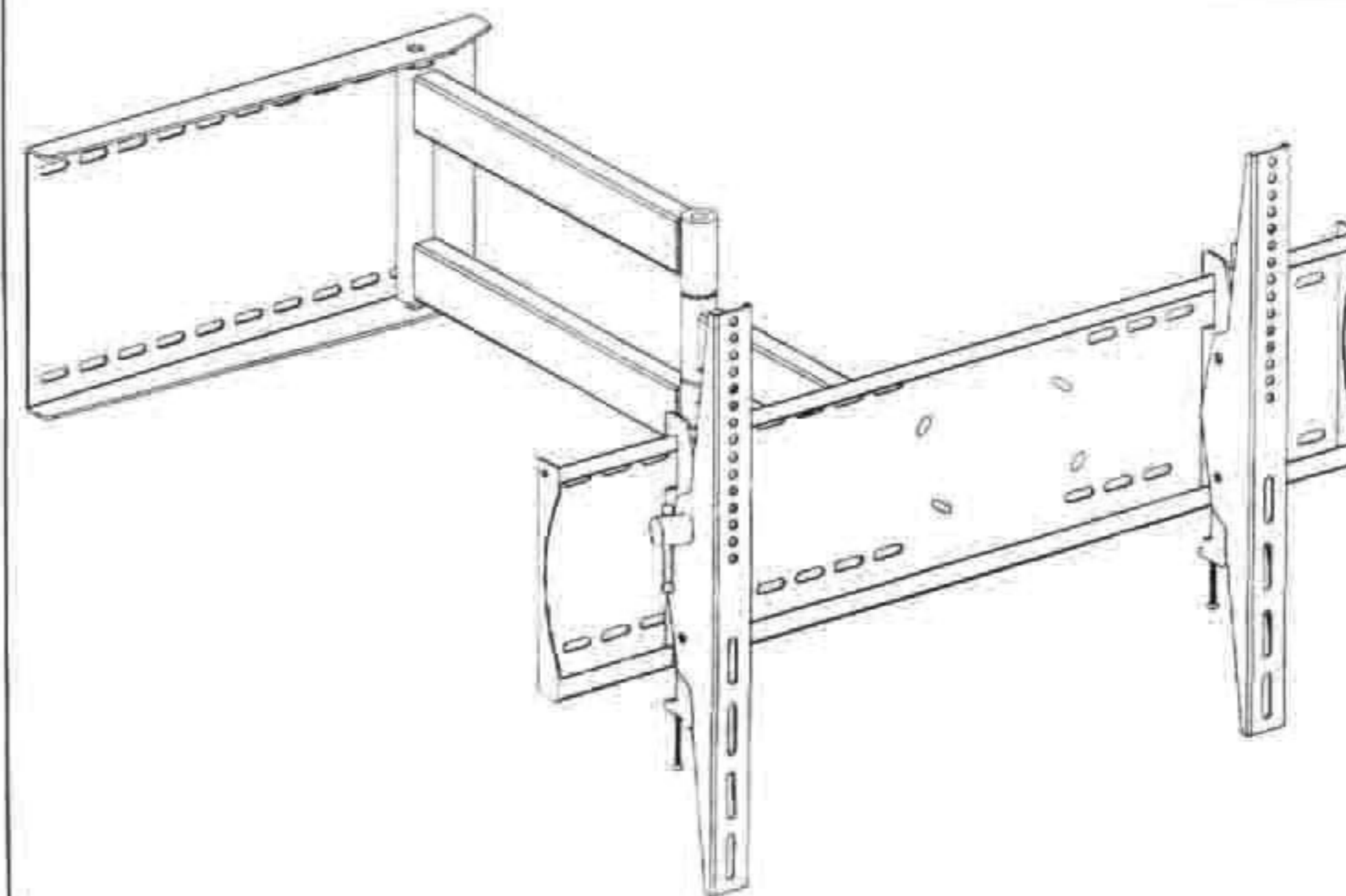
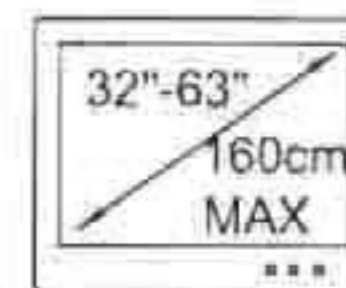


1. The viewing angle of plasma can be adjusted by loosen or tighten X-1.
2. The viewing horizontal level of plasma can be adjusted by loosen or tighten X-2.

PLASMA TV MOUNT

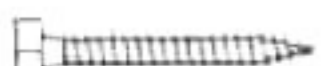

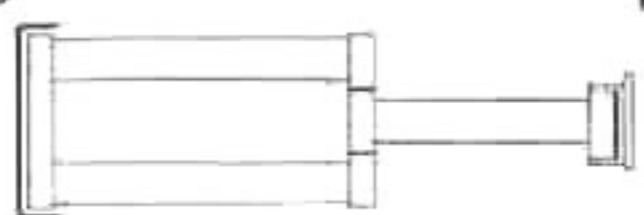


















WARNING:

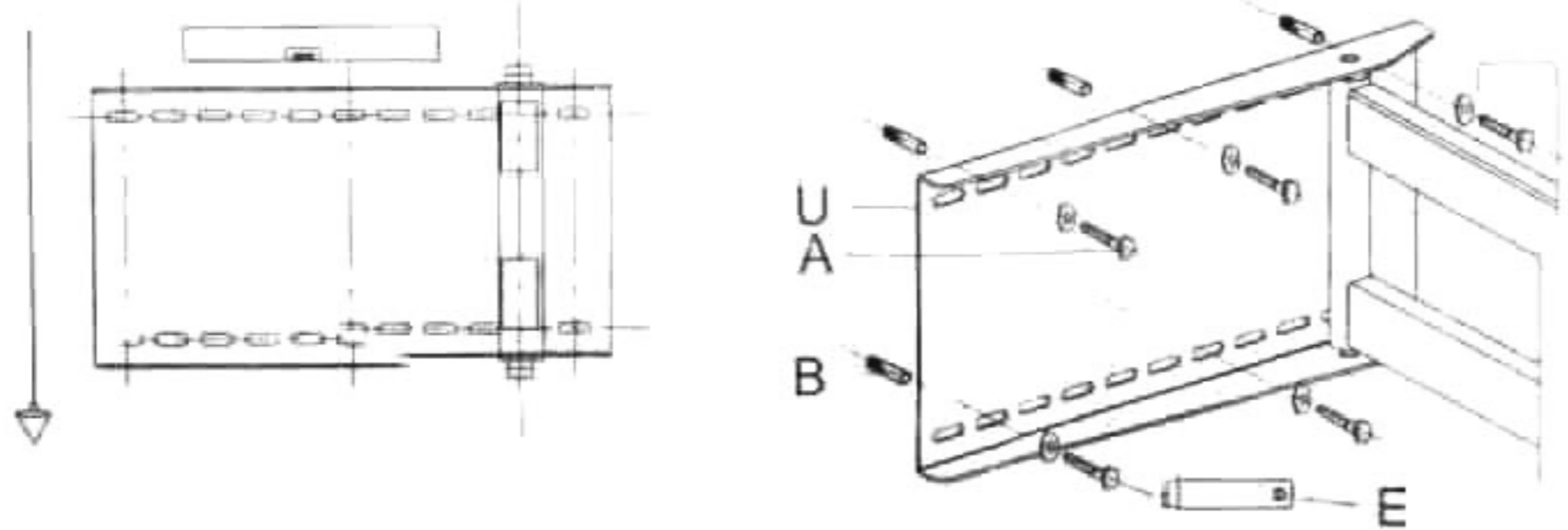
1. The bracket must be fitted to a solid concrete wall or solid brick wall or solid wooden wall .
2. To be fitted by a professional only .

INSTALLATION SPECIFICATION

1

A		6	J		4	U		1
B		6	K		4	X		1
C		4	M		4	Y		2
D		4	N		4			
E		1	Q		10			
F		2	P		4			
G		4	R		4			
H		4	V		4			

2



1. Drawing vertical line on the installed and making marks for drilling holes on the wall as per drawing.

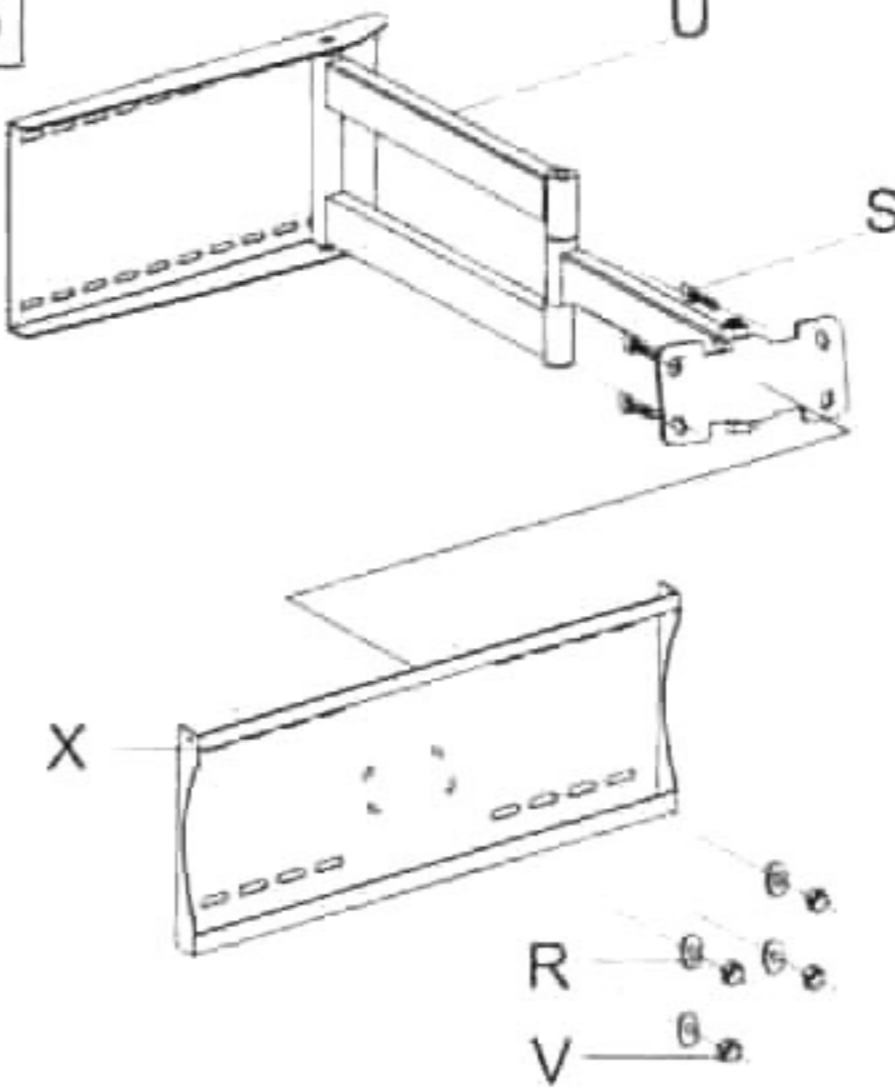
2. Drill 70mm-deep holes with $\Phi 12$ aiguilles on the marks.

Fix subassembly U on the wall with accessories A, B and Q.

4. When installing subassembly U on solid wood walls, use a $\Phi 6$ aiguilles and accessory B is not needed.

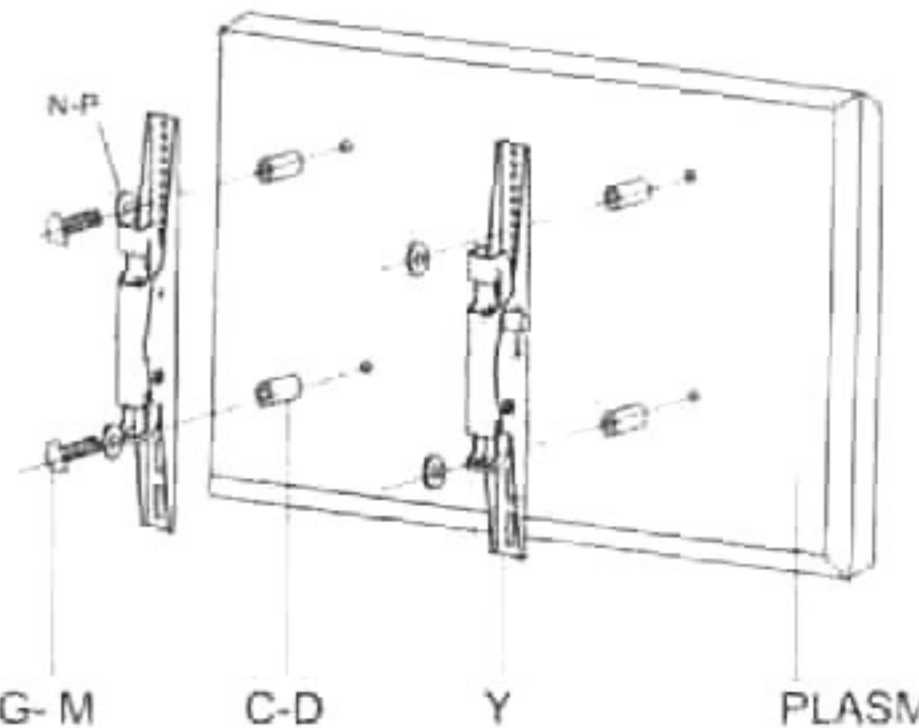
INSTALLATION SPECIFICATION

3



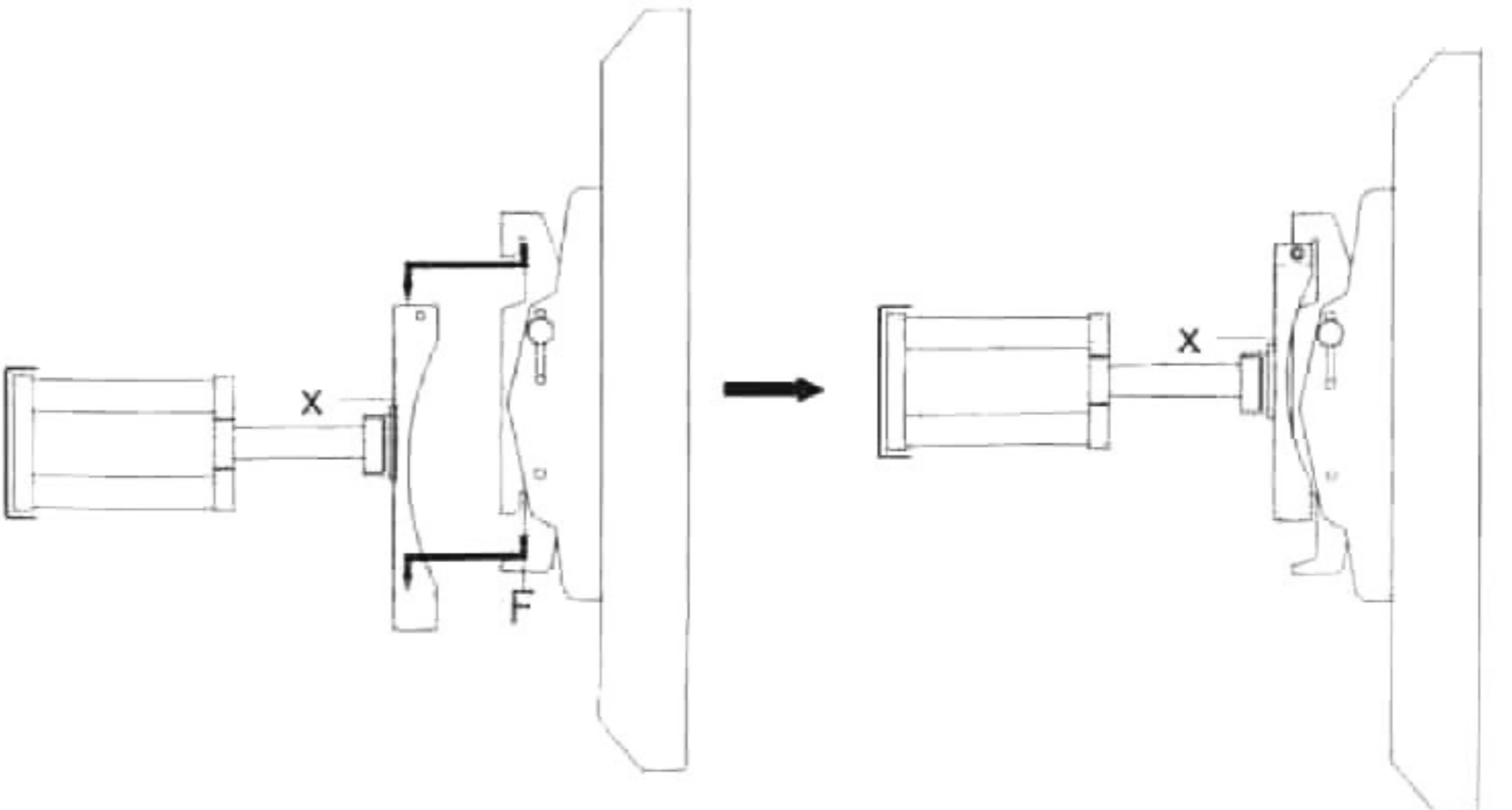
Combine subassemblies U and X with accessories S, V and R.

4



Fix subassembly Y on the plasma with proper bolts G-M, P-N and accessories C or D.

5



Hook the plasma on subassembly Y

Screw accessory F into Y to make it stably