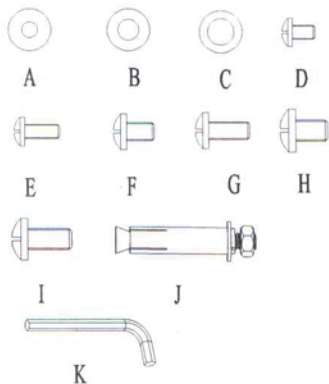


# AARTONMOUNTS

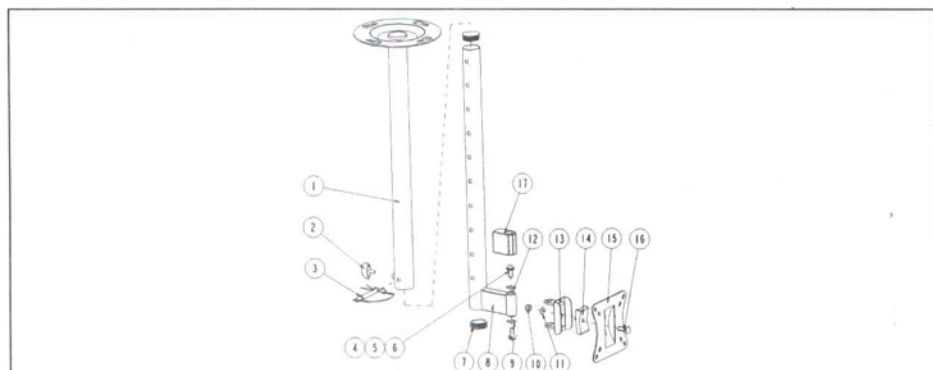
## Instructions of 3024F CEILING Fixed Installation for Panel TV

### 1. Part List

No.	Name of part	Material	Amount
A	φ 4 Flat washer	Standard part	4
B	φ 5 Flat washer	Standard part	4
C	φ 6 Flat washer	Standard part	4
D	M4*8 Screw	Standard part	4
E	M4*12 Screw	Standard part	4
F	M5*8 Screw	Standard part	4
G	M5*12 Screw	Standard part	4
H	M6*8 Screw	Standard part	4
I	M6*12 Screw	Standard part	4
J	Concrete Anchor	Q235	4
K	Inner hexagon spanner S=5	Q235	1



### 2. Name of parts



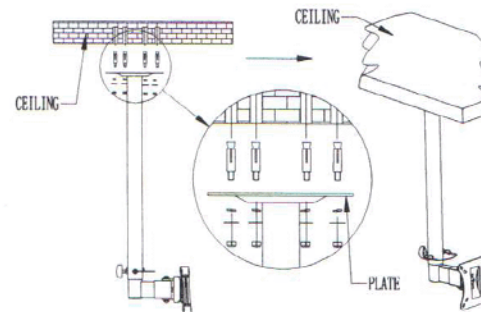
Item NO.	Symbol	Name	Material	Amount	Remark
1	LCD-CM200-01-0	Ceiling beam	jointing parts	1	Ø38
2	F-520-05	Knob screw	PA/A3	1	
3	SS-052-09	Safe pin	assembled parts	1	
4		Ø8 Spring shim	Stander parts	2	
5		Ø8 Flat washer	Stander parts	2	
6		M8*15 screws	Stander parts	2	
7	SS-001-12	Pipe top	PP	2	
8	LCD-CM200-02-0	Extension tube	jointing parts	1	Ø35
9	F-570-06	Grinding washer	copperplate	2	δ=0.1
10		M8 Locknut	Stander parts	1	
11		Ø8 Flat washer	Stander parts	1	
12	F-570-09	Screw thread spindle	A3	1	
13	F-575-02-0	Revolving/Fixed weldment	jointing parts	1	
14	F-575-03	Sliding plastic	PA	1	
15	F-575-04	TV plate	Q215	1	δ=2.5
16		M8*22 Self-tap screws	Stander parts	1	
17	F-570-12	Plastic sheath	PVC	1	

### 3. Installation and operation instructions

#### Step 1:

Use the plate as a templet to drill four holes of 3/8" diameter and 2" depth in the concrete ceiling. Then wedge four steel concrete anchors into the holes.

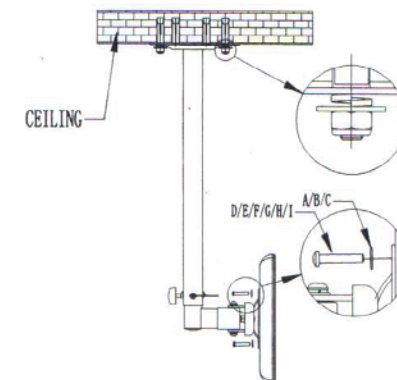
Fix the plate, Use the flexible washers and flat washers, then fasten the locknuts to fix the mount onto the ceiling.



#### Step 2:

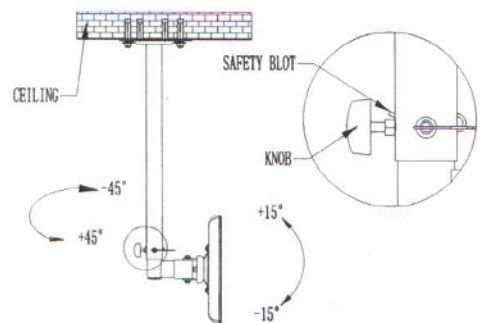
Install TV fixed plate on the TV back.

Select four suitable bolts from the parts bag and screw them into the bolt-holes in the back of the TV.



#### Step 3:

Adjust the angle and height of the panel TV to a suitable position, and fix the safety bolt and screw the knob up at last.



Remark:

- A. Installed by professional only.
- B. Installed on the hard wall or pillar.

**Note: please read the instructions carefully before installation!  
MUST BE FITTED BY A PROFESSIONAL**