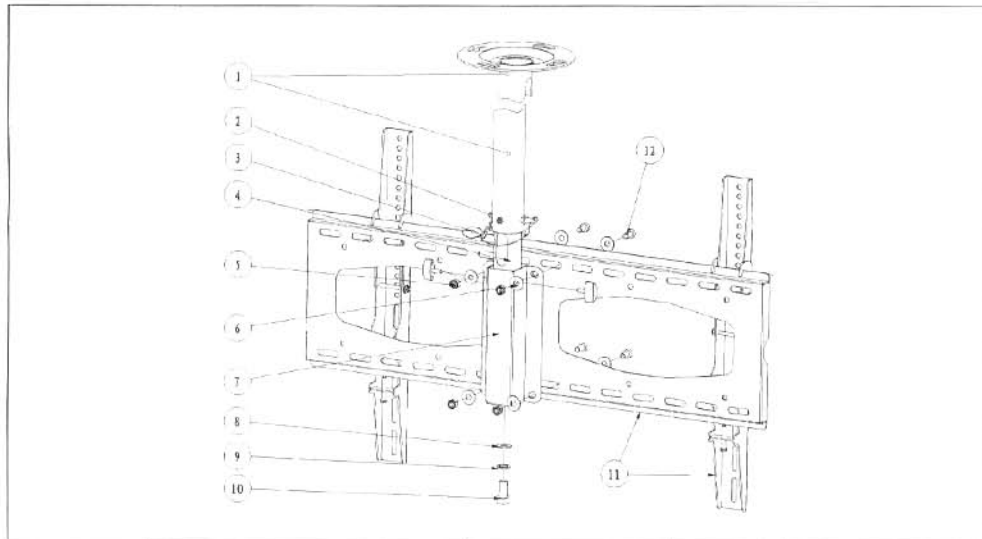


MUST BE FITTED BY PROFESSIONAL
AARTONMOUNTS
 LCD/Plasma Wall Bracket 3025F

1. Parts List

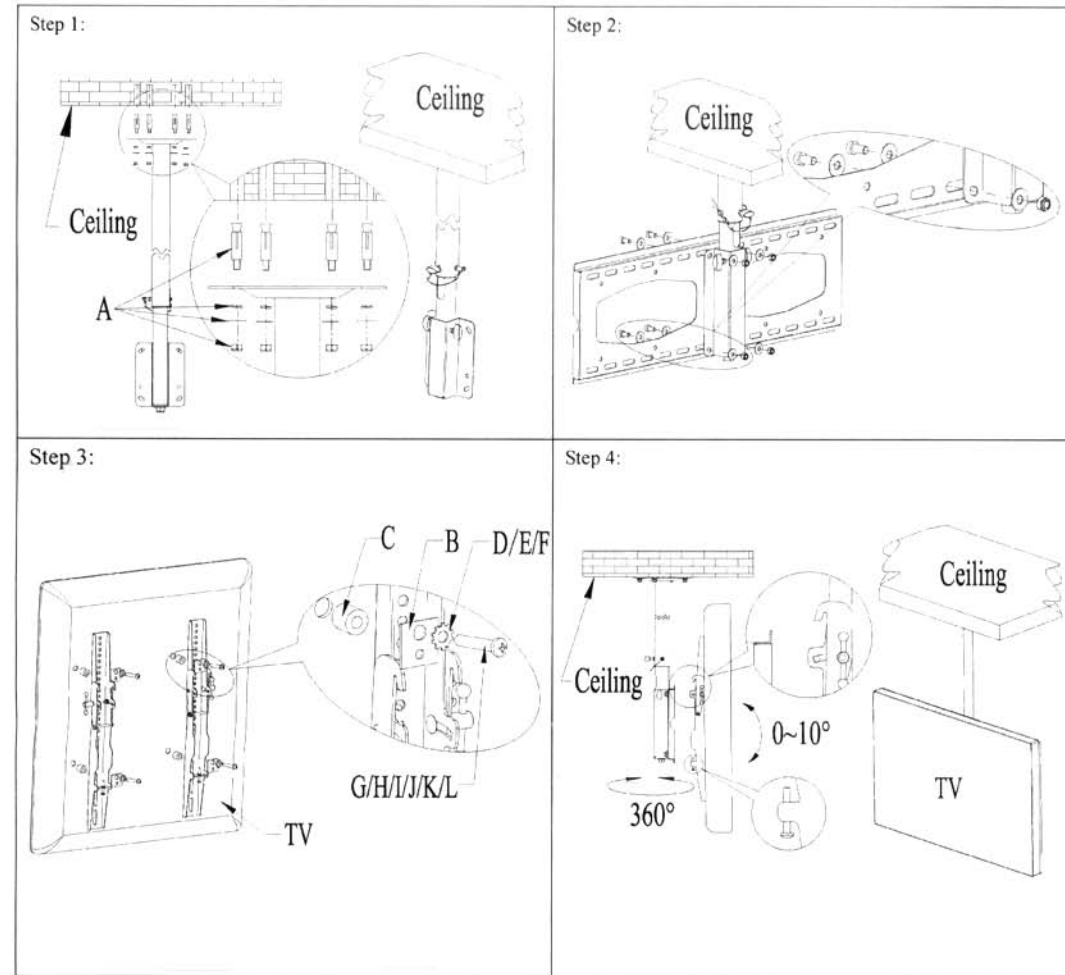
No.	Name of part	Material	Amount
A	Concrete Anchor	Standard part	4
B	25*25 shim	Standard part	4
C	Plastic sleeve	Standard part	4
D	Ø5 Dentiform washer	Standard part	4
E	Ø6 Dentiform washer	Standard part	4
F	Ø8 Dentiform washer	Standard part	4
G	M5*30 Screw	Standard part	4
H	M5*15 Screw	Standard part	4
I	M6*30 Screw	Standard part	4
J	M6*15 Screw	Standard part	4
K	M8*30 Screw	Standard part	4
L	M8*15 Screw	Standard part	4
M	Wall fixed frame	Assembled part	1

2. Name of parts



Item NO.	Name	Material	Amount	Remark
1	Ceiling beam	Welding parts	1	
2	Safe pin	assembly parts	1	
3	Flexible screw	PA/A3	3	
4	Extension tube	Welding parts	1	
5	Locknut	Standard part	4	
6	shim	Standard part	8	
7	Fixed plate	Q215	1	δ=2.5
8	Shim	Standard part	1	
9	Spring washer	Standard part	1	
10	Self tap screws	Standard part	1	
11	The wall fixed plate	full set	1	
12	Self tap screws	Standard part	4	

3.



Must Be Fitted By A Professional.